



**SIAGSA**

COMERCIALIZADORA SIAGSA S.A. DE C.V

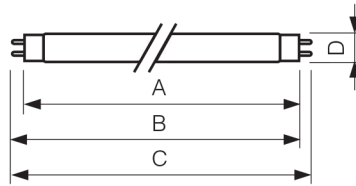


**CATÁLOGO**

## TUV UVC GERMIDAL



Dimensional drawing

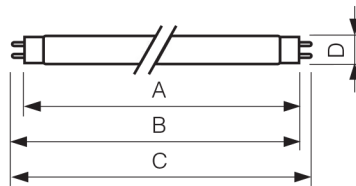


Product	A (Max)	B (Min)	B (Max)	C (Max)	D (Max)	Current (A)
TUV TL-18W	589.8	594.5	596.9	604.0	28	0.265
TUV TL-15W	437.4	442.1	444.5	451.6	28	0.34
TUV TL-25W	437.4	442.1	444.5	451.6	28	0.6
TUV TL-30W	894.6	899.3	901.7	908.8	28	0.37
TUV TL-36W	1199.4	1204.1	1206.5	1213.6	28	0.44
TUV TL-75W HO	1199.4	1204.1	1206.5	1213.6	28	0.84
TUV TL-55W HO	894.6	899.3	901.7	908.8	28	0.77

## TL UVA



Dimensional drawing

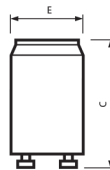


Product	A (Max)	B (Min)	B (Max)	C (Max)	D (Max)	Current (A)
TLK 40W/10-R	589.8	594.5	596.9	604	40.5	0.86
TL 60W/10-R	1199.4	1204.1	1206.5	1213.6	40.5	0.7
TL 80W/10-R	1500	1504.7	1507.1	1514.2	40.5	0.83
TL 100W/10-R	1763.8	1768.5	1770.9	1778	40.5	0.97
TL 140W	1500	1504.7	1507.1	1514.2	40.5	1.46

## STARTERS



Dimensional drawing



### S12 115-140W 220-240V UNP

Product	C (Max)	E (Max)
S12 115-140W SIN 220-240V BK	40.3	21.5

### S10 4-65W SIN 220-240V WH EUR

Product	C (Max)	E (Max)
S10 4-65W SIN 220-240V WH EUR	40.3	21.5

## QUICKTRONIC® PROFESSIONAL QTP8



### Dimensions & weight

Description	Length [mm]	Width [mm]	Height [mm]	Distance Mounting Holes [mm]	Weight [g]
QTP8 1x18	360	30	30	350	270
QTP8 2x18	423	30	30	415	404
QTP8 3x18	423	40	30	415	500
QTP8 4x18	423	40	30	415	500
QTP8 1x36	360	30	30	350	261
QTP8 2x36	423	30	30	415	404
QTP8 1x58	360	30	30	350	309
QTP8 2x58	423	30	30	415	400

### Lamp/ECG System Combination

ECG	Lamp	HF lamp wattage [W]	System wattage [W]	Line current [A]	Luminous flux at 25°C [lm]	Luminous flux at 35°C [lm]	Power factor [λ]
QTP8 1x18	L18	16	18	0.09	1300	-	0.96
QTP8 2x18	2x L18	2x16	35	0.17	2x1300	-	0.97
QTP8 3x18	3x L18	3x16	56	0.26	3x1300	-	0.99
QTP8 4x18	4x L18	4x16	73	0.32	4x1300	-	0.99
QTP8 1x36	L36	32	35	0.16	3200	-	0.96
	L38	32	35	0.16	3200	-	0.96
QTP8 2x36	2x L36	32	71	0.31	2x3200	-	0.96
	2x L38	32	71	0.31	2x3200	-	0.96
QTP8 1x58	L58	50	55	0.24	5000	-	0.98
QTP8 2x58	2x L58	2x50	110	0.45	2x5000	-	0.98

## SOLVENT GEAR PUMP



TIPO	lt/h	POTENCIA		TIPO	lt/h	POTENCIA		TIPO	lt/h	POTENCIA	
		KW	HP			KW	HP			KW	HP
BMF2	120	0.09	0.12	BMF2M	90	0.13	0.18	-	-	-	-
BMF3	210	0.13	0.18	BMF3M	160	0.18	0.25	-	-	-	-
BMF4	240	0.18	0.25	BMF4	210	0.18	0.25	-	-	-	-
BMF5	320	0.26	0.35	BMF5	300	0.26	0.35	BMF5/6	200	0.18	0.25
BMF10	600	0.26	0.35	BMF10M	580	0.37	0.5	BMF10/6	400	0.26	0.35
BMF15	900	0.37	0.5	BMF15M	850	0.55	0.75	BMF15/6	600	0.37	0.5
BMF25	1500	0.55	0.75	BMF25M	1400	0.75	1	BMF25/6	1000	0.55	0.75
BMF35	2100	0.75	1	BMF35M	2000	1.1	1.5	BMF35/6	1400	0.75	1
BMF50	3000	1.1	1.5	BMF50M	2900	1.5	2	BMF50/6	2000	1.1	1.5
BMF60	3600	1.5	2	BMF60M	3400	1.8	2.5	BMF60/6	2400	1.1	1.5

R.P.M.	1'500	1'000	750	600	500	300	200
VISCOSIDAD mm <sup>2</sup> /s (cst)	200	500	1'000	2'000	3'200	10'000	20'000

## MINI MOTOR



## SERIE PC

Type	Ratio	Delivered power	Input r.p.m. no-load	Output r.p.m. no-load	Rated torque	Voltage	Current	Capacitor
Tipo	Relación	Potencia entregada	Revoluciones entrada sin carga	Revoluciones salida sin carga	Par nominal	Tensión	Intensidad	Condensador
	i	HP	rpm	rpm	in-lbs	Vac - 60 Hz	A	µF
PC 240M3	7 - 100	1/14 - 1/2	1680, 3360	17 - 480	20.4 - 177	115 10 230 30	0.70 - 3.60	16 - 40

## VACUUM PUMPS



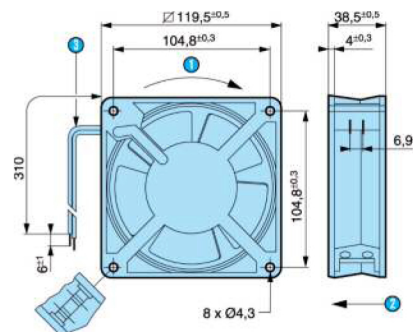
Modello Modell	Model Modelo	SA.3 50Hz 60Hz		SA.3TV 50Hz 60Hz	
Codice catalogo Artikelnummer	Catalog code Código catálogo	9801021		9901017	
Portata Saugvermögen	Inlet capacity Caudal	m <sup>3</sup> /h		3	3,3
Pressione finale (ass.) Enddruck (abs.)	Final pressure (abs.) Presión final (abs.)	mbar hPa			
Potenza motore Motorleistung	Motor power Potencia motor	(1~) kW		0,12	0,15
Número di giri nominali U/min	R.p.m. Número de revoluciones	n/min		2800	3300
Rumorosità (UNI EN ISO 2151) Schalldruckpegel (UNI EN ISO 2151)	Noise level (UNI EN ISO 2151) Nivel sonoro (UNI EN ISO 2151)	dB(A)		62	65
Temperatura di funzionamento* Betriebsstemperatur*	Operating temperature* Temperatura de funcionamiento*	°C		65+70	70+75
Peso Gewicht	Weight Peso	(1~); (3~)kg [N]		5 [49,0]	
Aspirazione pompa Saugutzen	Pump intake Boca aspiración	Ø9		1/8" G	

(\*) Temperatura ambiente 20°C (\*) Umgebungstemperatur 20°C (\*) Ambient Temperature 20°C (\*) Temperatura ambiente 20°C

## FAN MOTORS



- air flow : 17 to 115 CFM
- acoustic noise : 29 to 50 dB A



### Part numbers

Type	Voltage (VAC)	Current (A)	Power (W)	Locked (A)	Speed (rpm)	Noise (dB A)	Air flow rate 1 CFM ≈ 1,7 m <sup>3</sup> /h (CFM)	Outputs	
99487400	120 x 38 mm	220/230	0,12/0,11	20/19	0,14/0,12	2550/2900	43/48	85/105	wire